

35003 35mm平脚两段阀芯

35mm flat base two phased cartridge

阀芯技术参数

Technical Characteristics of The Cartridge

开启角度 : 12° / 23° 旋转角度 : 90° 最高使用温度 : 90°C
Max On/Off angel : 12° / 23° Max Cold/Hot turning angel : 90° Max temperature : 90°C

建议锁紧力矩 : 10~15Nm 冷热操作力矩 : 0.2~0.4Nm (任何水温)

Tightness of hex nut torque : 10~15Nm

Cold / Hot operation torque : 0.2~0.4Nm
(Under any water temp)

开关操作力矩 : 0.2~0.4Nm (任何水温)

On/Off operation torque : 0.2~0.4Nm
(Under any water temp)

阀芯破坏强度 : ≥12Nm

Broken torque : ≥12Nm

爆破压 : ≥35bar

Burst pressure : ≥35bar

3bar水压下流量值 : 12°≥12L/min 23°≥24L/min

Flow rate at 3bar : 12°≥12L/min 23°≥24L/min

寿命测试 : EN817:2008 280,000cycles

ASME A 112.18.1-2008 2,000,000cycles

Life cycle test : EN817:2008 280,000cycles

ASME A 112.18.1-2008 2,000,000cycles



认证

Certification

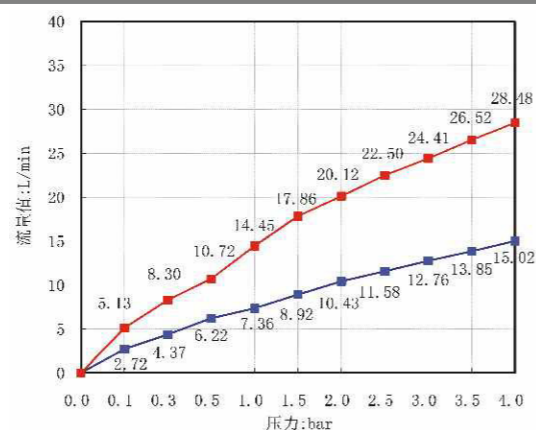


Certified to NSF/ANSI 61-G

DVGW/KTW



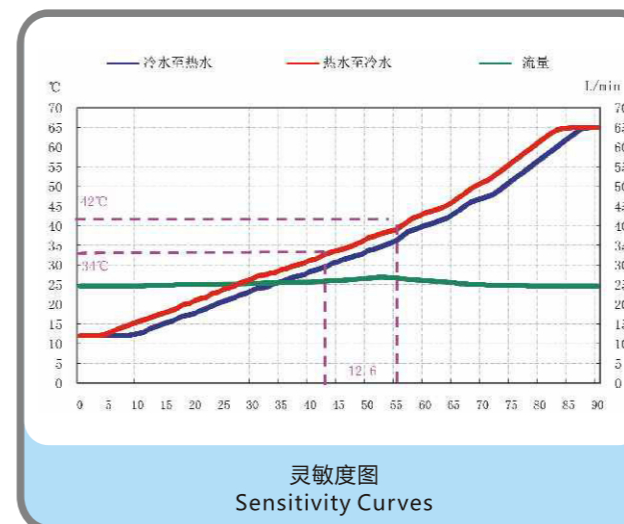
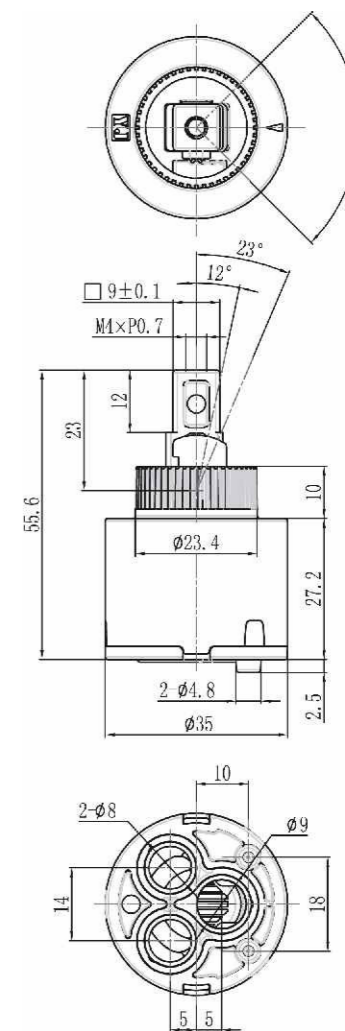
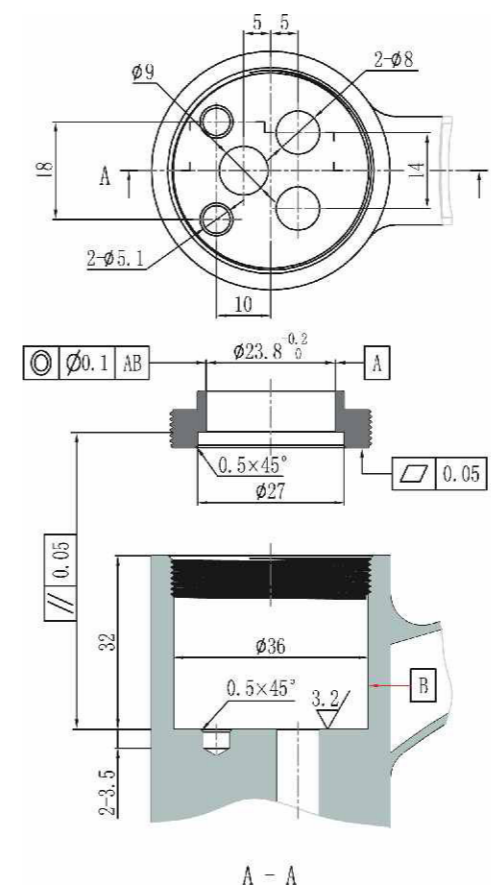
ACS



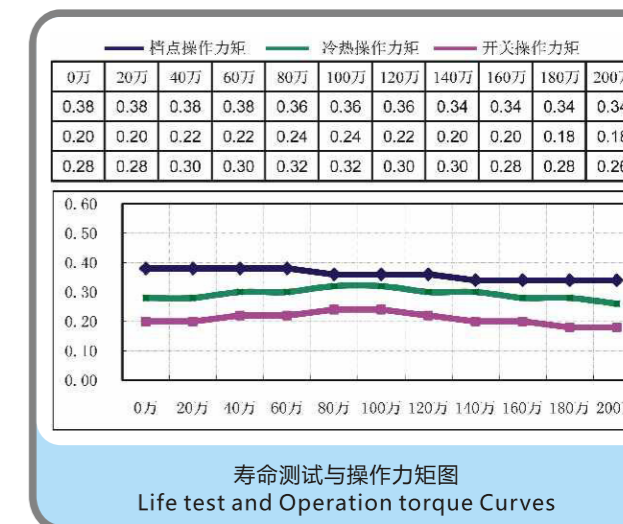
流量图
Flow Rate Curves

安装尺寸图

Drawings of Mounting Dimensions



灵敏度图
Sensitivity Curves



寿命测试与操作力矩图
Life test and Operation torque Curves