

37001 37mm四孔分水阀芯

37mm diverter cartridge

阀芯技术参数

Technical Characteristics of The Cartridge

旋转角度：360°

Max Cold/Hot turning angel : 360°

最高使用温度：90°C

Max temperature : 90°C

建议锁紧力矩：6~8Nm

Tightness of hex nut torque : 6~8Nm

操作力矩：0.15~0.30Nm (任何水温)

Operation torque : 0.15~0.30Nm
(Under any water temp)

爆破压：≥25bar

Burst pressure : ≥25bar

3bar水压下流量值：≥19L/min

Flow rate at 3bar : ≥19L/min

寿命测试：GB18145-2014 30,000cycles
EN817 : 2008 30,000cycles

Life cycle test : GB18145-2014 30,000cycles
EN817 : 2008 30,000cycles



认证

Certification

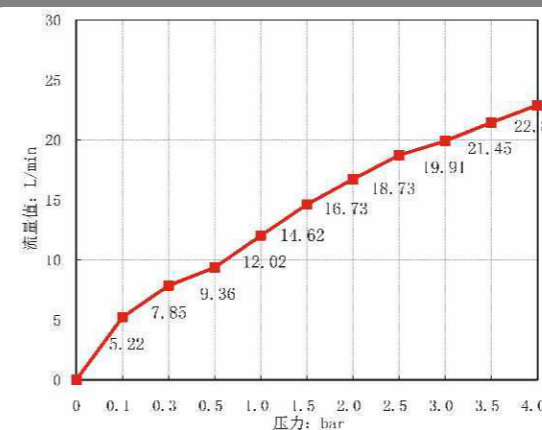
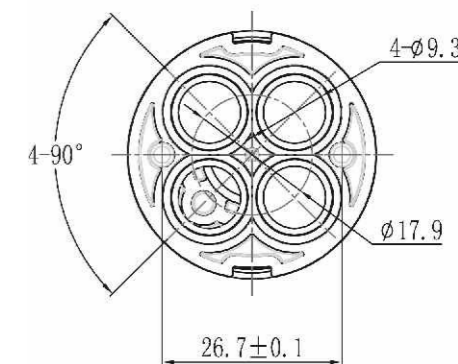
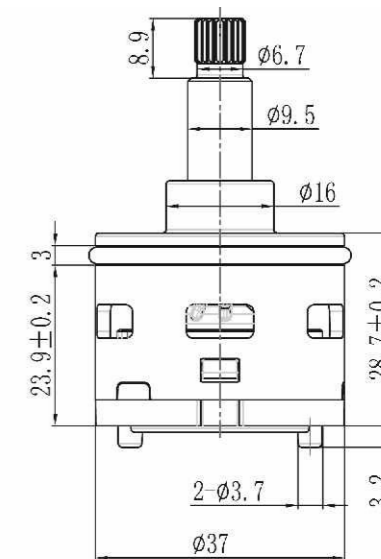
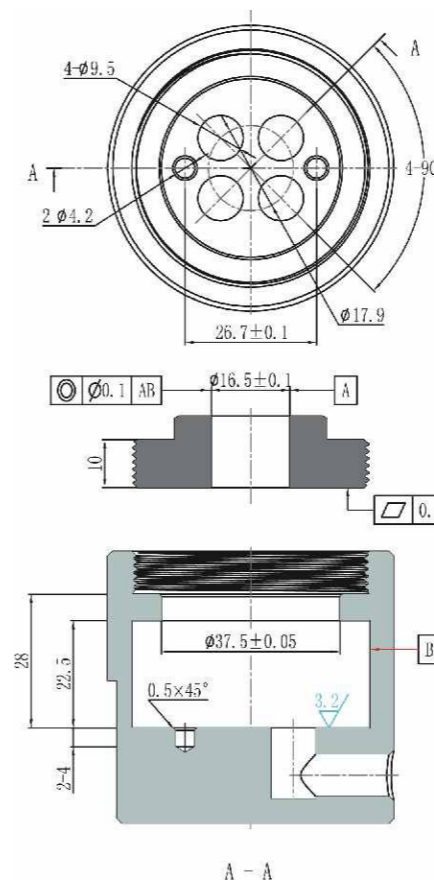
ACS

分水阀 Diverter

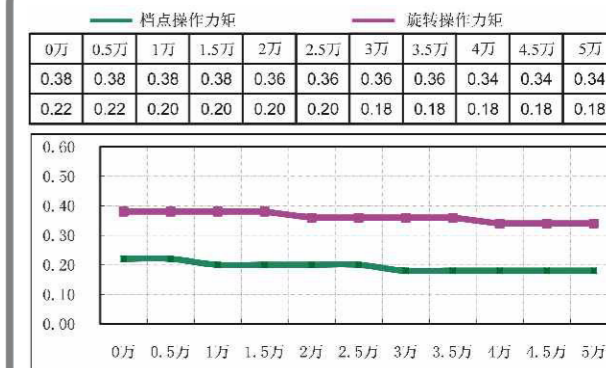
满足您对水龙头安全舒适的用水需求
In YJ Cartridge we make cartridges right

安装尺寸图

Drawings of Mounting Dimensions



流量图
Flow Rate Curves



寿命测试与操作力矩图
Life test and Operation torque Curves