

40004 40mm高脚两段阀芯

40mm high base two phased cartridge

阀芯技术参数

Technical Characteristics of The Cartridge

开启角度：12° / 23° 旋转角度：110° 最高使用温度：90°C
Max On/Off angel : 12° / 23° Max Cold/Hot turning angel : 110° Max temperature : 90°C

建议锁紧力矩：10~15Nm 冷热操作力矩：0.2~0.4Nm (任何水温)
Tightness of hex nut torque : 10~15Nm Cold / Hot operation torque : 0.2~0.4Nm (Under any water temp)

开关操作力矩：0.2~0.4Nm (任何水温)
On/Off operation torque : 0.2~0.4Nm (Under any water temp)

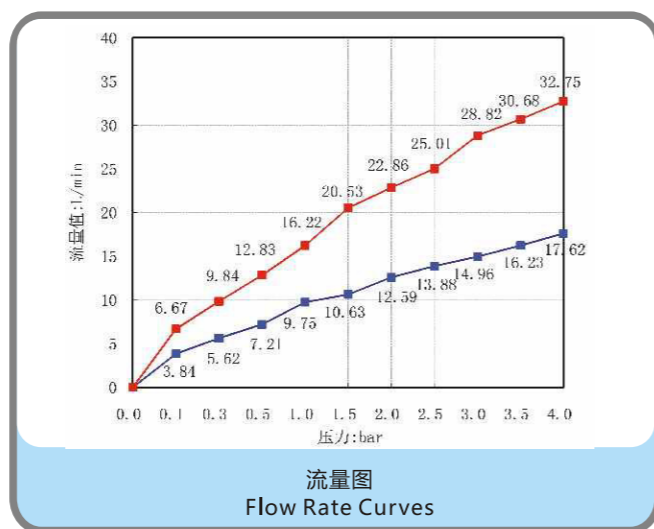
阀芯破坏强度：≥15Nm
Broken torque : ≥15Nm

爆破压：≥35bar
Burst pressure : ≥35bar

3bar水压下流量值：12°≥14L/min 23°≥28L/min
Flow rate at 3bar : 12°≥14L/min 23°≥28L/min

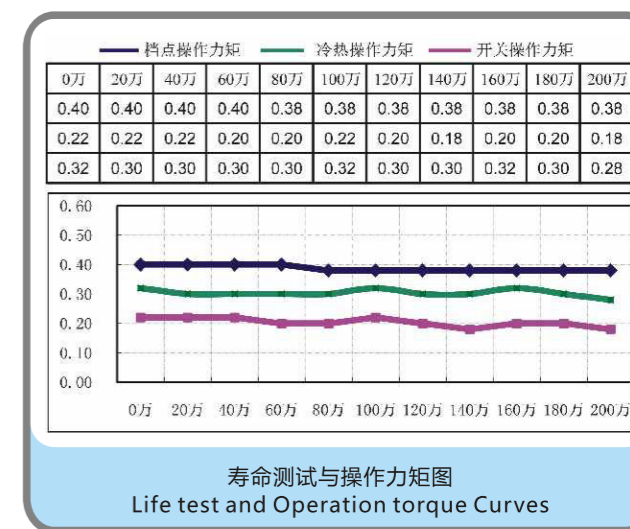
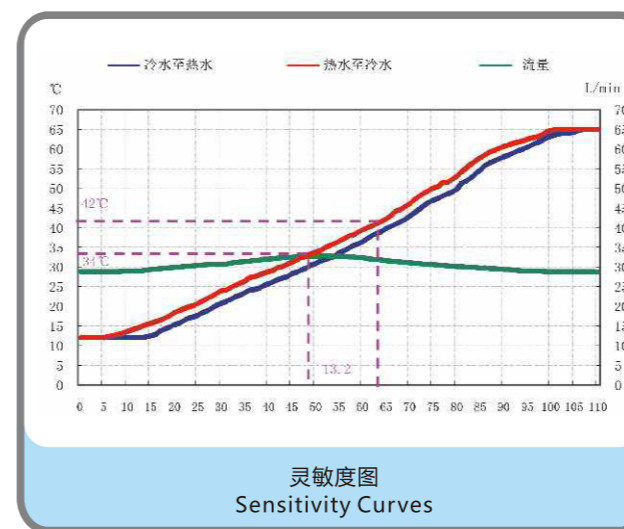
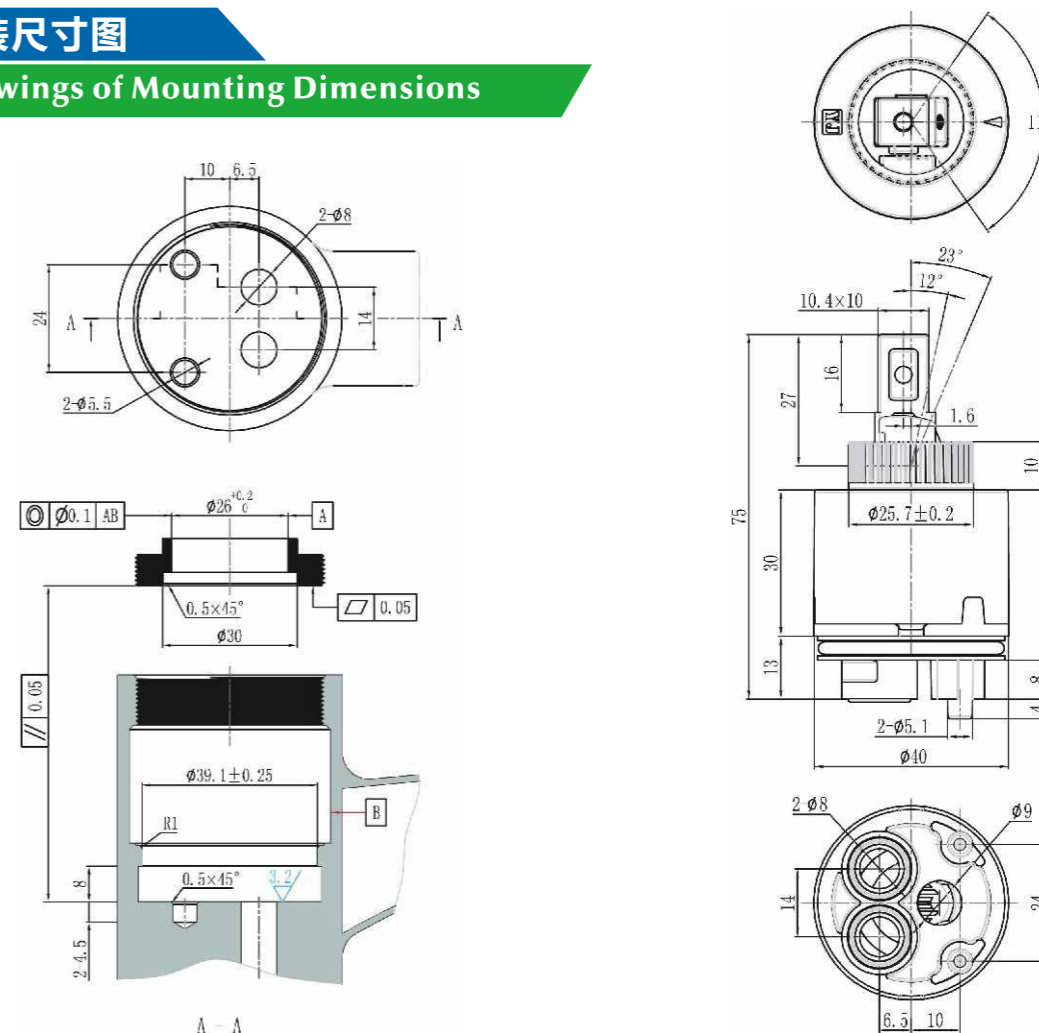
寿命测试：EN817:2008 280,000cycles
ASME A 112.18.1-2008 2,000,000cycles

Life cycle test : EN817:2008 280,000cycles
ASME A 112.18.1-2008 2,000,000cycles



安装尺寸图

Drawings of Mounting Dimensions



认证

Certification



DVGW/KTW



ACS